

13AP62TK090 SLT-5400 (2008)
Drive & Pedal System

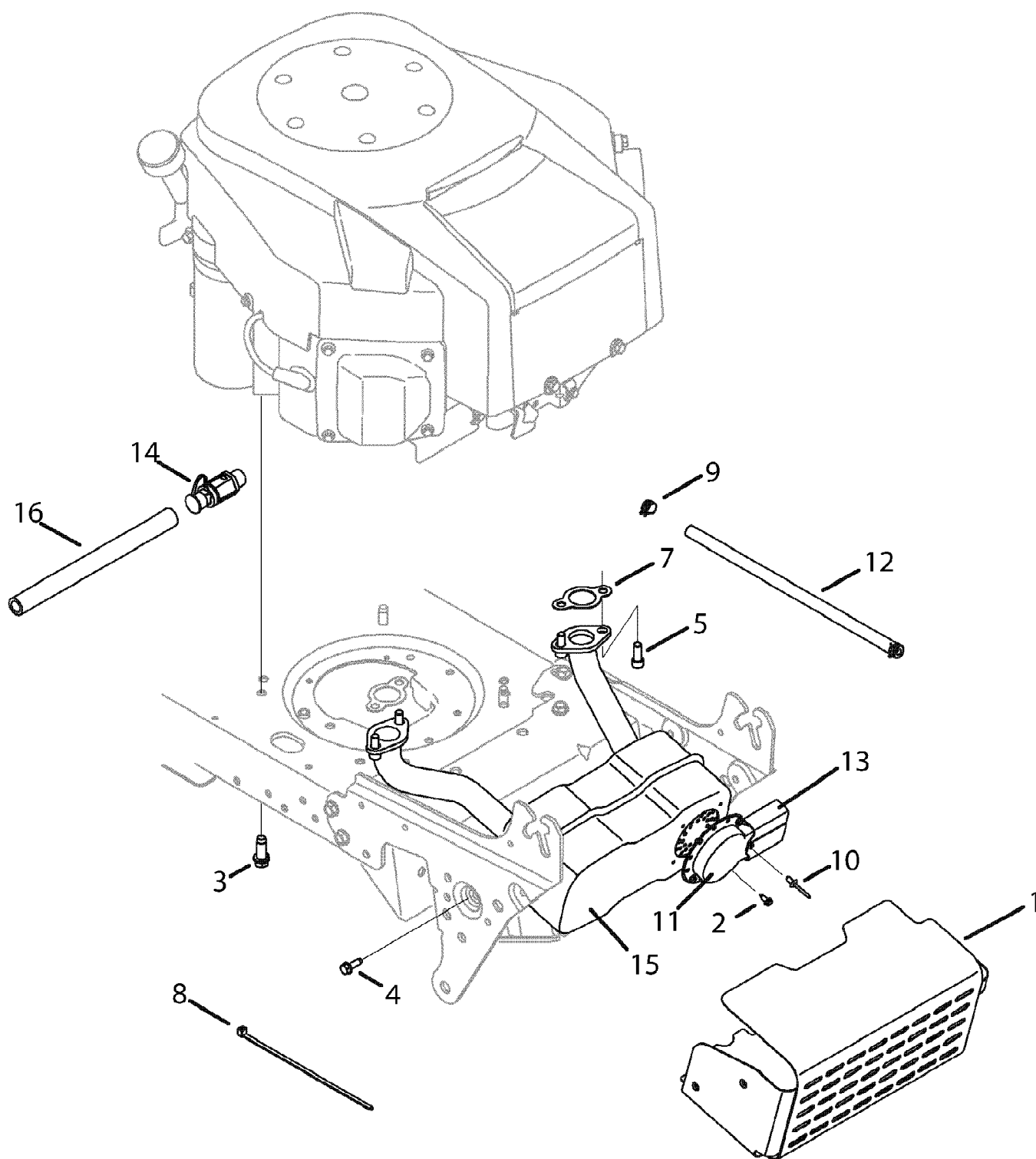
Page 2 of 45

Ref #	Part Number	Qty	S/P/F	Description
1	17840	1	S	Transmission Mounting Bracket
2	618-04228	1	S	Wheel Hub Assembly
3	618-04270B	1	S	Hydrostatic Transmission
4	629-0949B	1		Harness Assembly
5	710-0227	1	/P	AB Screw #8-18 x 0.375
6	710-04484	1		AB Screw 5/16-18 x 0.75
7	710-0520	1	/P	Hex Bolt 3/8-16 x 1.5
8	710-0627	1	/P	Screw, 5/16-24 x.750
9	710-0653	1	/P	TT Screw 1/4-20 x 0.5
10	710-0778	1	/P	Screw, 1/4-20 x 1.50
11	710-1007	1	/P	Screw, 3/8-16 x 1.50
12	710-1266	1	/P	Hex Bolt 5/16-18 x 3.5
13	710-3011	1	/P	Hex Bolt 3/8-16 x 2.25
14	711-0832	1	S	Ferrule
15	712-0240	1	S	Jam Nut 7/16-20
16	712-0346	1	S	Hex Nut, 1/2-20
17	712-04063	1	/P	Flange Lock Nut, 5/16-18
18	712-0431	1	S	Flanged Lock Nut 3/8-16
19	712-3017	1	S	Flanged Lock Nut 3/8-16
20	714-0111	1	S	Cotter Pin
21	725-0157	1	/P	Cable Tie
22	725-1644	1		Switch
23	726-0154	1	S	Cable Tie
24	726-0320	1	S	Insulator Nut Plate
25	731-05300	1		Sleeve, .765 x 2.410 Lg.
26	731-06098	1		Blade Fan
27	732-0209	1	S	Extension Spring
28	732-04323B	1	/P	Extension Spring
29	732-0716C	1	S	Extension Spring
30	732-0729	1	/P	Wire Ring
31	732-0994	1		Extension Spring
32	732-3118	1		Extension Spring
33	736-0169	1	S	Lock Washer
34	736-0242	1	/P	Bell Washer,.340 x.872 x.060
35	736-0258	1	/P	Flat Washer,.385 x 1.0 x .135
36	736-0300	1	S	Flat Washer
37	736-04263	1		Lock Washer, Hydro Trans.
38	736-3010	1		Flat Washer
39	712-3050	1	/P	Lug Nut 7/16-14
40	738-0372B	1	/P	Shoulder Spacer
41	747-04139	1		Brake Rod
42	747-1149	1		Bypass Rod
43	747-1151	1		Control Rod
44	748-0334	1	S	Transaxle Spacer
45	750-0566A	1	/P	Spacer,.260 x.372 x 1.030 Lg.
46	754-04165	1	S	V Belt, 4L x 78" Lg
47	756-04224	1	/P	Flat Idler Pulley
48	756-04308	1		Input Pulley
49	756-04325	1	/P	Idler Pulley
50	783-04442	1		Idler Bracket
51	783-0810B	1	S	Torq Bracket
52	783-1019B	1	/P	Actuator Bracket
53	647-0049A	1	S	Hydrostatic Control Assembly

13AP62TK090 SLT-5400 (2008)
Drive & Pedal System

Page 3 of 45

Ref #	Part Number	Qty	S/P/F	Description
54	647-04100	1	S	Brake Control Assembly
55	683-0267C	1	/P	Pedal Assembly
56	710-1260A	1	/P	LD Screw 5/16-18 x 0.75
57	711-04159B	1		Pin
58	712-04065	1	/P	Flange Lock Nut, 3/8-16
59	712-3004A	1	/P	Flange Lock Nut, 5/16-18
60	714-0104	1	S	Pin, Cotter
61	732-0335	1		Compression Spring
62	732-0955	1		Extension Spring
63	732-0963	1		Extension Spring
64	735-0662	1		Control Pedal
65	735-3049A	1	/P	Brake Control Pedal
66	736-0119	1	S	Lock Washer 5/16
67	736-0187	1	/P	Flat Washer, .64 x 1.24 x .06
68	736-0262	1	/P	Flat Washer, .385 x .870 x .092
69	738-0155	1	S	Shoulder Screw
70	738-0380	1	S	Shoulder Screw
71	741-0225	1	S	Hex Flange Bearing
72	741-3065B	1	/P	Hex Flange Bearing
73	747-04093A	1		Brake Lock Control Rod
74	747-04096	1		Cruise Control Rod
75	747-04641A	1	S	Brake Pedal
76	748-04039C	1		Cruise Latch
77	783-04612	1	S	Steering Support Bracket
78	783-0663E	1	/P	Hydro Lockout Bracket
79	N/A	1		Wheel Complete Order Components
79	734-04174	1		Tire Only, 22 x 9.5 x 12 not shown
79	634-04238	1	/P	Rim Only not shown
79	734-0255	1	S	Tubeless Air Valve not shown

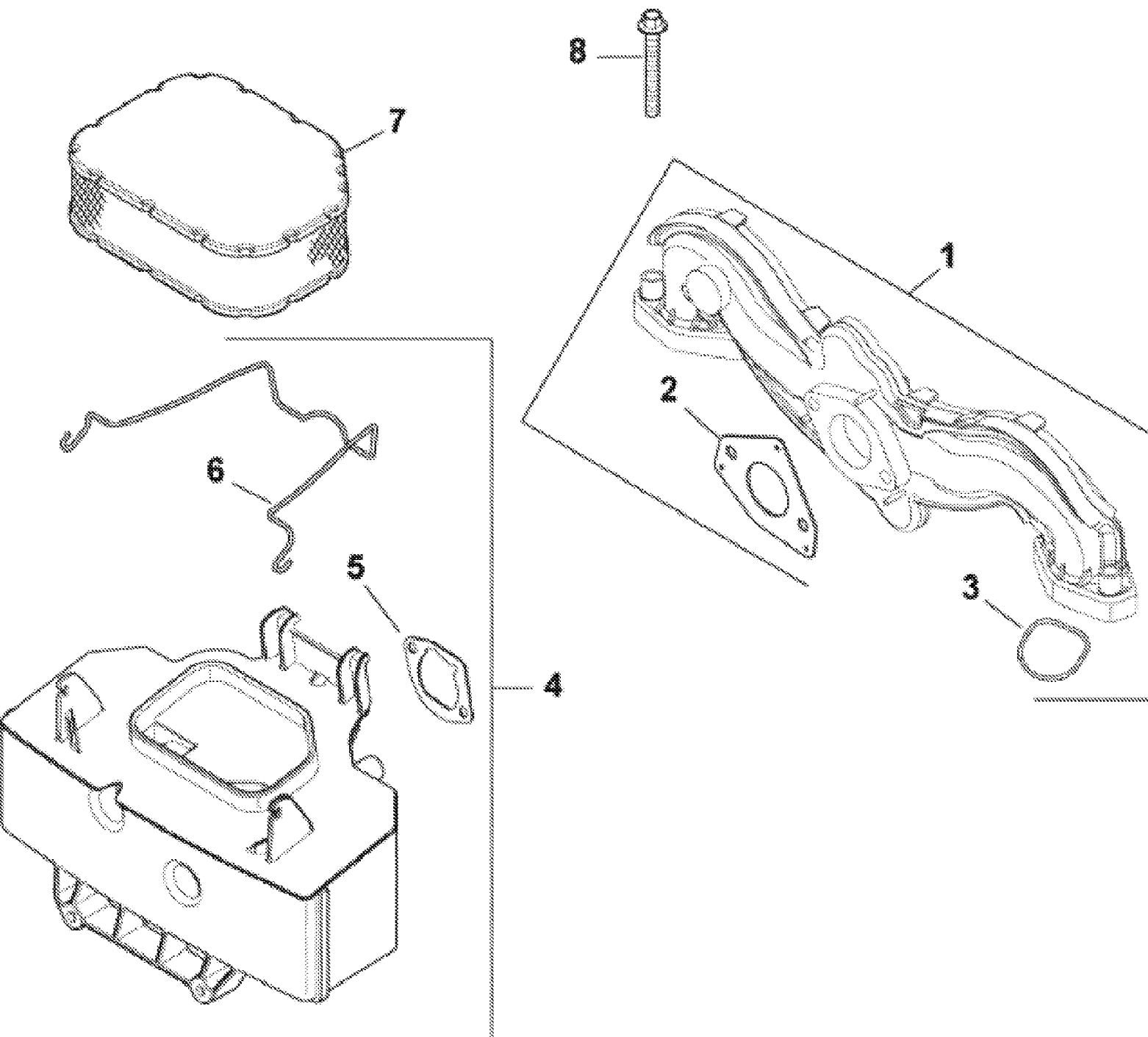


13AP62TK090 SLT-5400 (2008)
Engine Accessories

Page 5 of 45

Ref #	Part Number	Qty	S/P/F	Description
1	683-04370	1	S	Muffler Shield Assembly
2	710-0227	1	/P	Screw, #8-18, 0.500
3	710-04683	1		Screw, Hex, 3/8-16 x 1.00
4	710-0642	1	/P	Screw, Hex, 1/4-20, 0.750
5	710-1314A	1	/P	Screw, 5/16-18, 0.75
6	712-0271	1	/P	Sems Nut, 1/4-20
7	KH-20-041-12-S	1	/P	Exhaust Gasket, Kohler Twin
8	725-0157	1	/P	Cable, Tie, 3/16 x .05 x 7.4
9	726-0205	1	/P	Hose Clamp
10	728-04000	1		Rivet, Pop, .188 x .325
11	751-0564B	1	/P	Deflector, Muffler
12	751-10349	1		Fuel Line, Low Permeation
13	751-10353	1		Extension, Deflector
14	751-10517	1	S	Drain, Oil
15	751-10528	1	S	Muffler, Dual Inlet, Kohler
16	751-3141	1	S	Extension Hose, Oil Drain

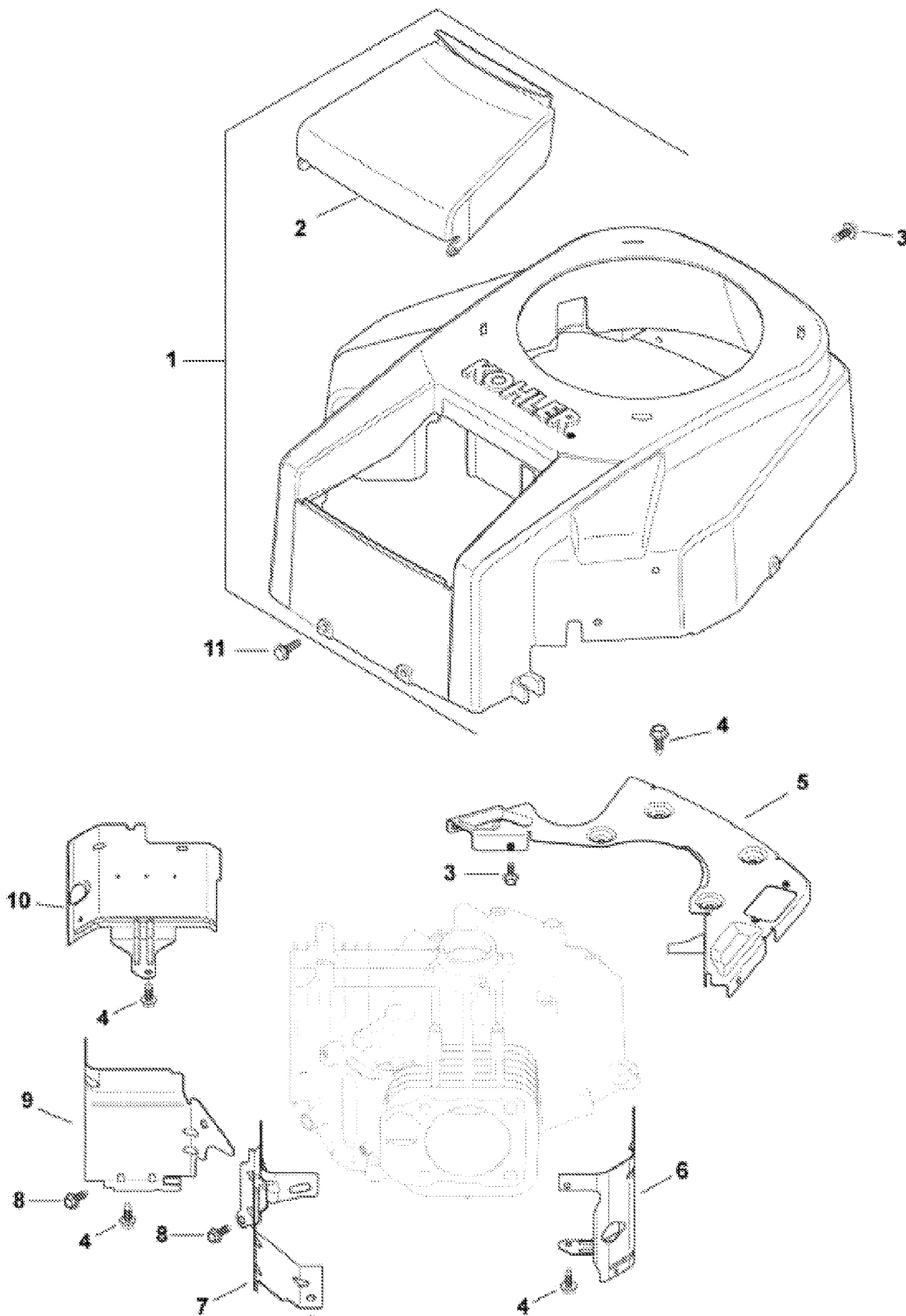
13AP62TK090 SLT-5400 (2008)
Engine Air Intake & Filtration



13AP62TK090 SLT-5400 (2008)
Engine Air Intake & Filtration

Page 7 of 45

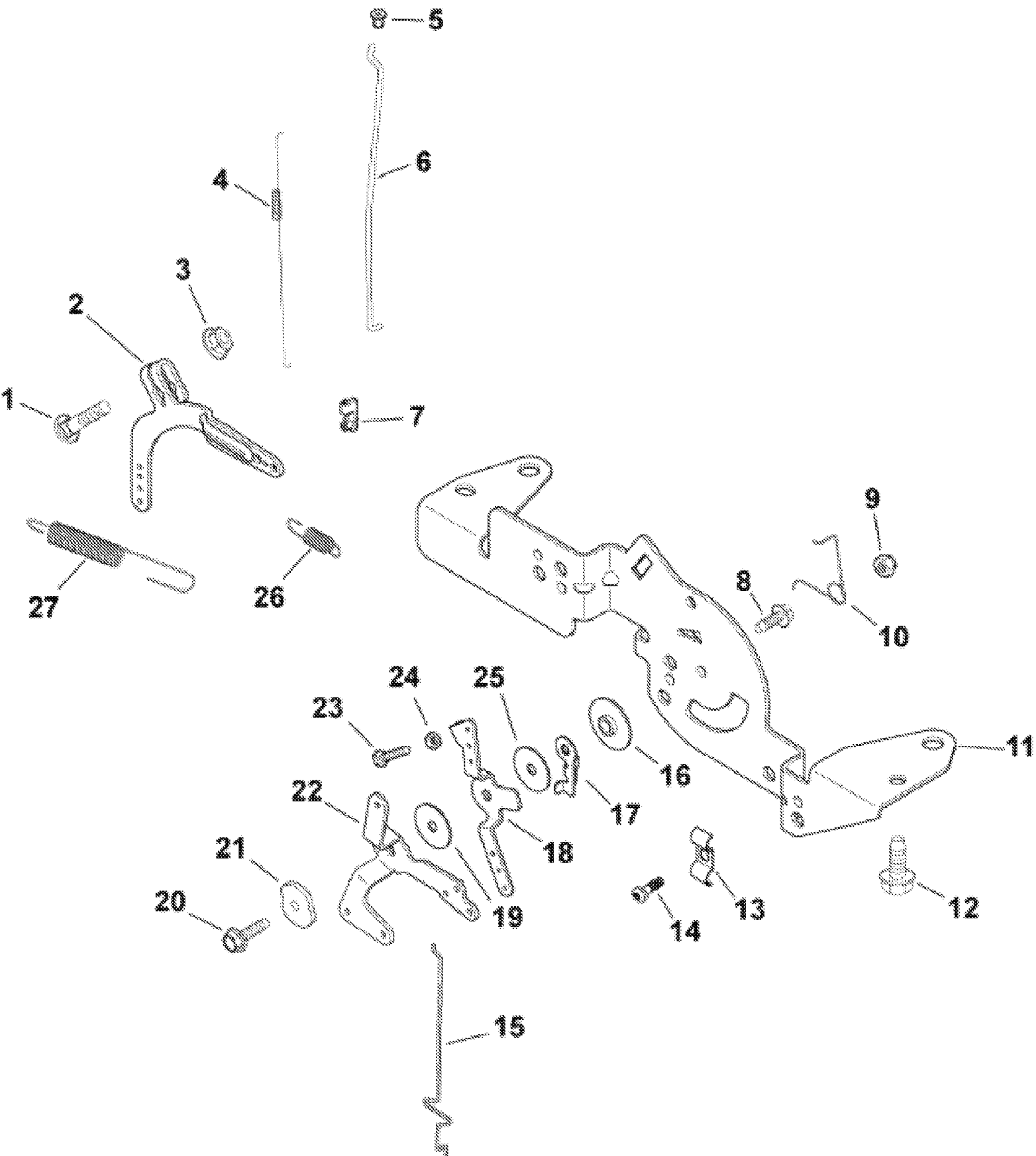
Ref #	Part Number	Qty	S/P/F	Description
1	KH-24-164-91-S	1	/P	KIT, INTAKE MANIFOLD (Includes 2,3)
2	KH-24-041-52-S	1	/P	GASKET, CARBURETOR
3	KH-24-153-27-S	2	/P	O-RING, INTAKE PORT
4	KH-32-094-04-S	1		KIT, AIR CLEANER BASE (Includes 5,6)
5	KH-24-041-14	1	/P	GASKET, AIR CLEANER BASE
6	KH-32-344-02-S	1		LATCH, AIR CLEANER ELEMENT
7	KH-32-083-03-S	1		ELEMENT, AIR FILTER
8	KH-M-651040-S	4		SCREW, FLG M6X1.0X40



13AP62TK090 SLT-5400 (2008)
Engine Blower Housing & Baffles

Page 9 of 45

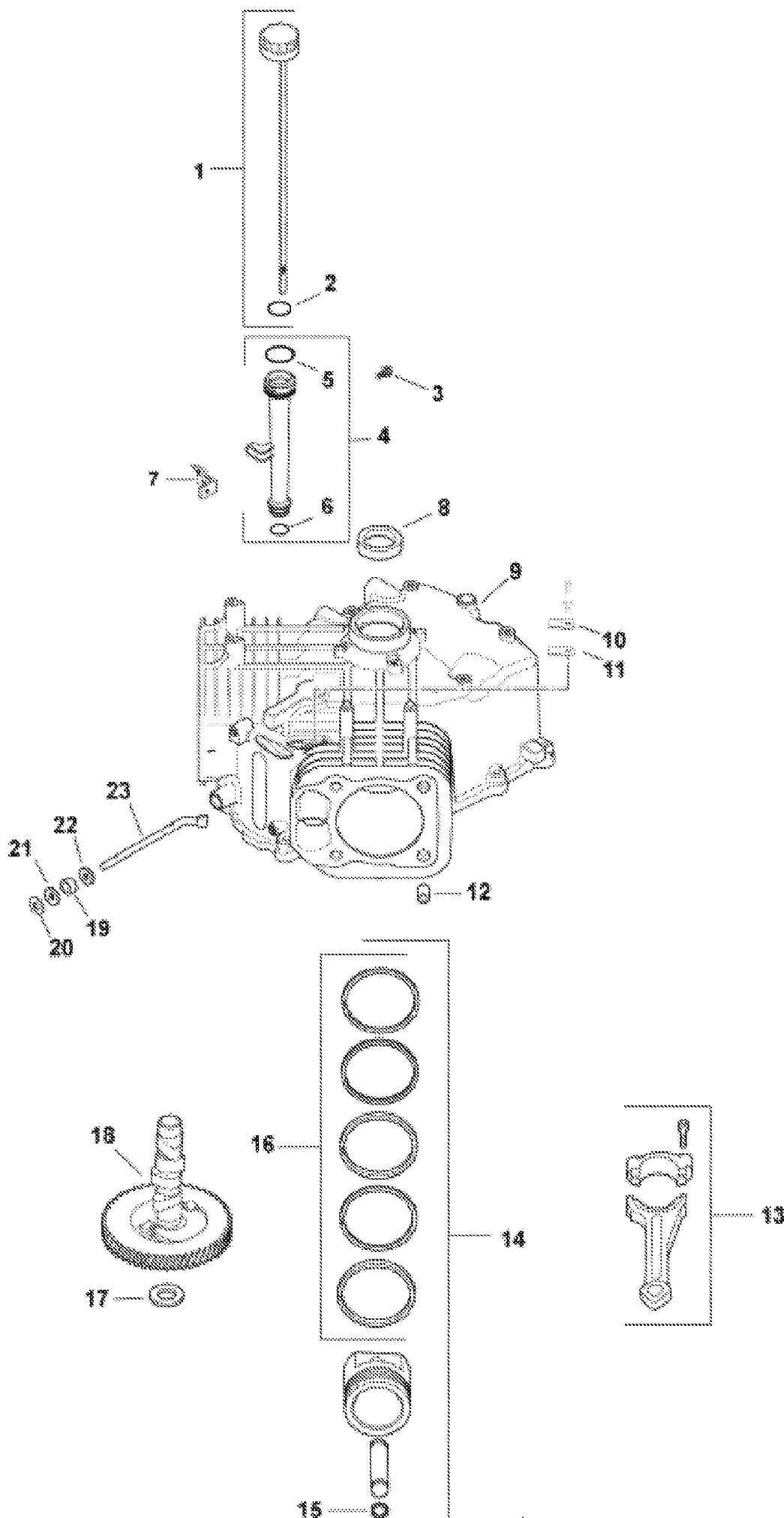
Ref #	Part Number	Qty	S/P/F	Description
1	KH-32-027-03-S	1		KIT, HOUSING BLOWER (Includes 2 & 41 037 10-S)
2	KH-32-096-08-S	1		COVER, AIR CLEANER
3	KH-M-545016-S	8	/P	SCREW, FLG THD FRM M5X.8X16
4	KH-M-645016-S	6	/P	SCREW, FLG THD FRM M6X1.0X16
5	KH-32-146-05-S	1		KIT, BACKING PLATE
6	KH-32-063-12-S	1		BAFFLE, CYL BARREL - #2 SIDE
7	KH-32-063-02-S	1		BAFFLE, VALLEY #2 SIDE
8	KH-M-545010	5	S	SCREW, FLG THD FRM M5X.8X10
9	KH-32-063-03-S	1		BAFFLE, VALLEY #1 SIDE
10	KH-32-063-10-S	1		BAFFLE, CYL BARREL - #1 SIDE
11	KH-24-086-12	2		SCREW, TAP M6X1.7X18
	KH-41-037-10-S	1		NAMEPLATE, SERVICE NOT ILLUSTRATED
	KH-25-086-15	2		SCREW, THREAD FORMING NOT ILLUSTRATED



13AP62TK090 SLT-5400 (2008)
Engine Controls

Page 11 of 45

Ref #	Part Number	Qty	S/P/F	Description
1	KH-24-211-03-S	1		BOLT, RD HD SQ NECK M6X1.0X25
2	KH-24-090-33-S	1		USE 24 090 51-S GOVERNOR LEVER
3	KH-M-641060-S	1	/P	NUT, FLG M6X1.0
4	KH-24-089-01	1		SPRING, LINKAGE
5	KH-25-158-08	1	/P	BUSHING, LINKAGE RETAINING
6	KH-24-079-04	1		LINKAGE, THROTTLE
7	KH-25-158-11	1	/P	BUSHING, THROTTLE LINKAGE
8	KH-M-545016-S	1	/P	SCREW, FLG THD FRM M5X.8X16
9	KH-M-547050-S	1		NUT, LOCK M5X.8
10	KH-24-089-03	1		SPRING, CHOKE RETURN
11	KH-24-126-161	1		BRACKET, CONTROL - USE 24 126 172-S
12	KH-M-645016-S	4	/P	SCREW, FLG THD FRM M6X1.0X16
13	KH-47-237-02	1	S	CLAMP, DUAL CONDUIT
14	KH-24-086-43-S	1		SCREW, LBD THD FRM M5x0.8x16
15	KH-24-079-22-S	1		LINKAGE, CHOKE
16	KH-24-112-27-S	1		SPACER, CONTROL ASSEMBLY
17	KH-24-090-47-S	1		LEVER, THROTTLE ACTUATOR
18	KH-24-090-13	1		LEVER, THROTTLE CONTROL
19	KH-24-468-01	1		WASHER, FLAT 5.5 MM
20	KH-M-545020-S	1		SCREW, FLG THD FRM M5X.8X20
21	KH-41-468-03	1		WASHER, SPRING 1/4"
22	KH-24-090-05	1		LEVER, CHOKE
23	KH-M-403025	1		SCREW, SLT HD CAP M4X0.7X25
24	KH-M-446030-S	1	/P	NUT, M4X.7
25	KH-24-468-20-S	1		WASHER, FLAT 5 MM
26	KH-24-089-55-S	1		SPRING, GOVERNOR
27	KH-24-089-25-S	1		SPRING, GOVERNOR



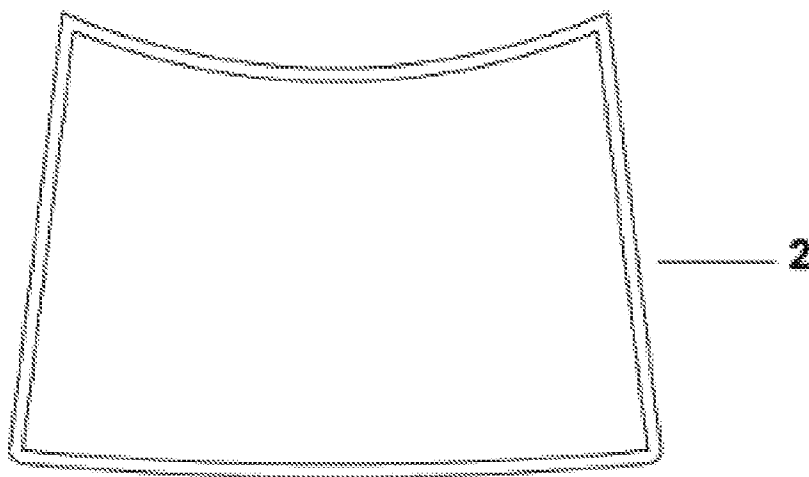
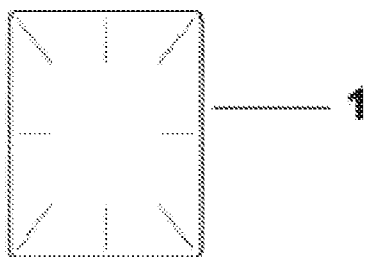
13AP62TK090 SLT-5400 (2008)
Engine Crankcase

Page 13 of 45

Ref #	Part Number	Qty	S/P/F	Description
1	KH-32-038-01-S	1		DIPSTICK (Includes 2)
2	KH-12-153-02-S	1	/P	O-RING, UPPER OIL FILL TUBE
3	KH-M-545013-S	1		SCREW, FLG THD FRM M5X0.8X13
4	KH-12-123-04	1	S	KIT, OIL FILL TUBE - USE 12 123 35-S
5	KH-12-153-02-S	1	/P	O-RING, UPPER OIL FILL TUBE
6	KH-12-153-01-S	1	/P	O-RING, LOWER OIL FILL TUBE
7	KH-24-126-19	1		BRACKET, OIL FILL TUBE
8	KH-24-032-01-S	1	S	USE 24 032 19-S OIL SEAL
9	N/A	1		CRANKCASE (Use: Short Block KH-32-522-03)
9	KH-32-522-03	1		Short Block
10	KH-24-018-04-S	1		RETAINER, BREATHER REED
11	KH-12-402-02	1		REED, BREATHER
12	KH-24-380-16-S	6	/P	PIN, LOCATING
13	KH-24-067-24-S	2	S	CONNECTING ROD (STD)
14	KH-25-874-01-S	2		KIT, PISTON W/ RING SET (Std) (includes 15, 16)
14	KH-24-874-27-S	2		KIT, PISTON W/RING SET (.08)
14	KH-24-874-28-S	2	/P	KIT, PISTON W/RING SET (.25)
15	KH-24-018-01-S	4	/P	RETAINER, PISTON PIN
16	KH-24-108-14-S	2		RING SET (STD)
16	KH-24-108-16-S	1		RING SET (.25)
17	KH-12-422-07-S	1	/P	SHIM, CAMSHAFT (WHITE .028") A.R.
17	KH-12-422-08-S	1	/P	SHIM, CAMSHAFT (BLUE .03") A.R.
17	KH-12-422-09-S	1	/P	SHIM, CAMSHAFT (RED .032") A.R.
17	KH-12-422-10-S	1	/P	SHIM, CAMSHAFT (YELLOW .034") A.R.
17	KH-12-422-11-S	1	/P	SHIM, CAMSHAFT (GREEN .036") A.R.
17	KH-12-422-12-S	1	/P	SHIM, CAMSHAFT (GRAY .038") A.R.
17	KH-12-422-13-S	1	/P	SHIM, CAMSHAFT (BLACK .04") A.R.
18	KH-32-012-01-S	1		KIT, CAMSHAFT
19	KH-28-032-09-S	1		SEAL, GOVERNOR CROSS SHAFT
20	KH-24-018-09-S	1		RETAINER, RING
21	KH-M-931010-S	1		WASHER, FLAT 9 MM
22	KH-24-468-15-S	1		WASHER, FLAT 11/32"
23	KH-24-144-38-S	1		SHAFT, GOVERNOR CROSS
	KH-25-357-14-S	1		LUBRICANT, CAMSHAFT NOT ILLUSTRATED

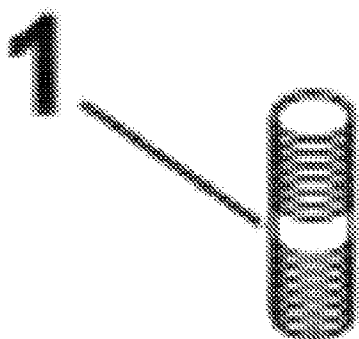
13AP62TK090 SLT-5400 (2008)
Engine Crankshaft

Ref #	Part Number	Qty	S/P/F	Description
1	KH-32-014-04-S	1	S	CRANKSHAFT (Includes 2)
2	KH-52-139-09-S	1	/P	PLUG, CUP



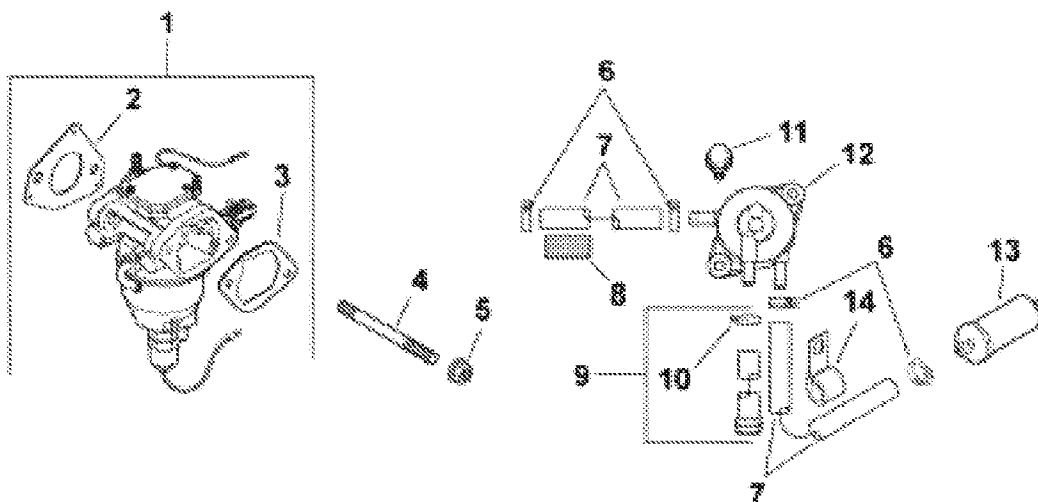
13AP62TK090 SLT-5400 (2008)
Engine Decals

Ref #	Part Number	Qty	S/P/F	Description
1	KH-25-113-39-S	1		DECAL, CLEAR LAMINATE
2	KH-32-113-07-S	1		DECAL, 23 HP



13AP62TK090 SLT-5400 (2008)
Engine Exhaust

Ref #	Part Number	Qty	S/P/F	Description
1	KH-25-072-04	4	/P	STUD,M8X1.25X33

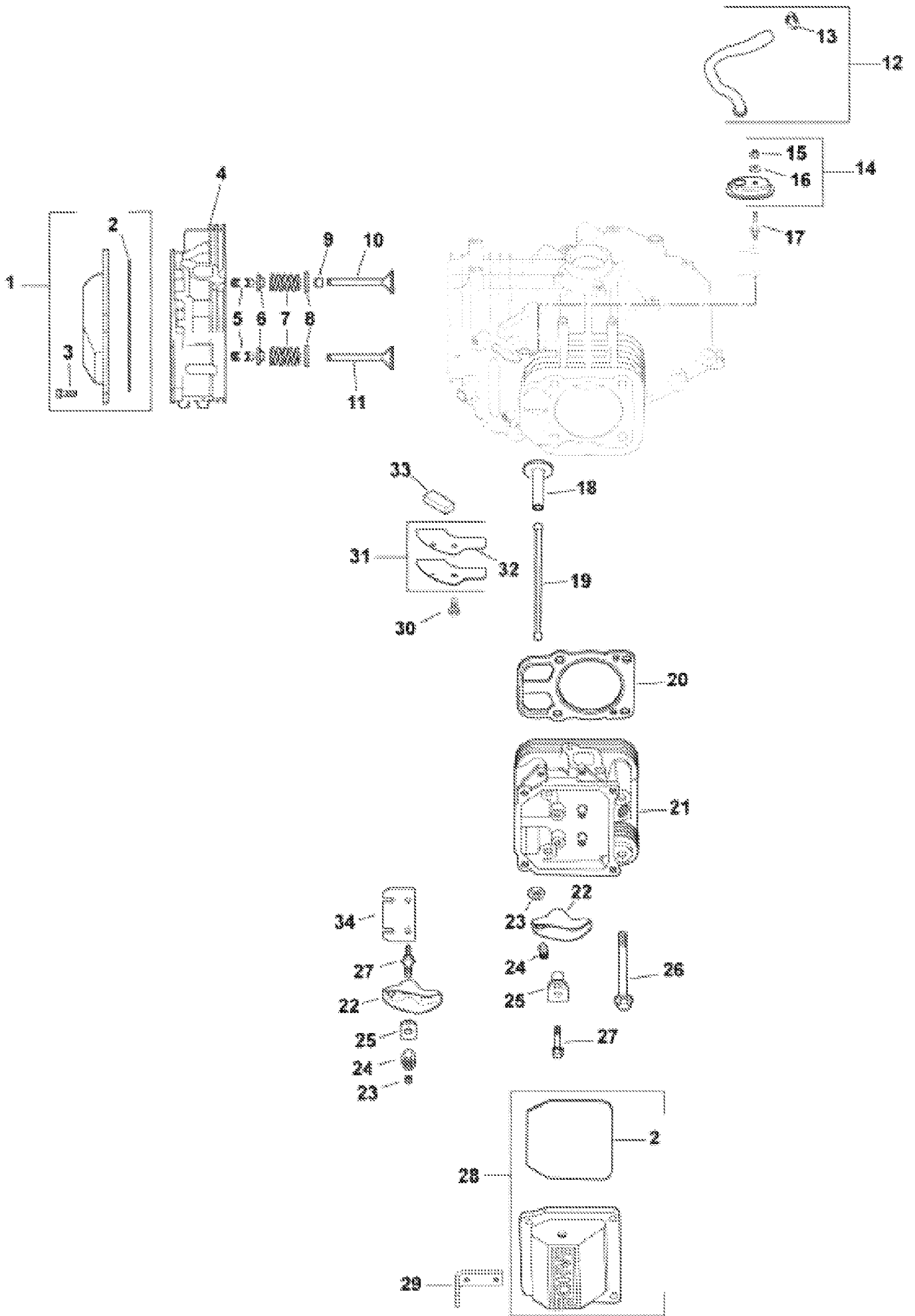


13AP62TK090 SLT-5400 (2008)
Engine Fuel System

Page 21 of 45

Ref #	Part Number	Qty	S/P/F	Description
1	KH-32-853-07-S	1	S	KIT, CARBURETOR W/GASKETS (includes 2,3)
2	KH-24-041-52-S	1	/P	GASKET, CARBURETOR
3	KH-24-041-14	1	/P	GASKET, AIR CLEANER BASE
4	KH-M-629105-S	2		STUD, M6X1.0X106
5	KH-M-641060-S	2	/P	NUT, FLG M6X1.0
6	KH-25-237-14-S	4	/P	CLAMP, SPRING HOSE 1/2"
7	KH-25-111-34-S	1		LINE, FUEL (24"-CUT TO LENGTH)
8	KH-25-431-10-S	1		SLEEVE, ANTI ABRASION
9	KH-32-326-02-S	1	S	KIT, FUEL PUMP HOSE W/CLAMP
10	KH-25-237-01-S	1		CLAMP, HOSE
11	KH-24-086-12	2		SCREW, TAP M6X1.7X18
12	KH-24-393-16	1	/P	PUMP, FUEL
13	KH-25-050-22-S	1		FILTER, FUEL
14	KH-47-154-01-S	1	/P	CLIP, CABLE
	KH-X-25-63	1		WASHER, FLAT 1/4" NOT ILLUSTRATED

13AP62TK090 SLT-5400 (2008)
Engine Head Valve Breather



13AP62TK090 SLT-5400 (2008)
Engine Head Valve Breather

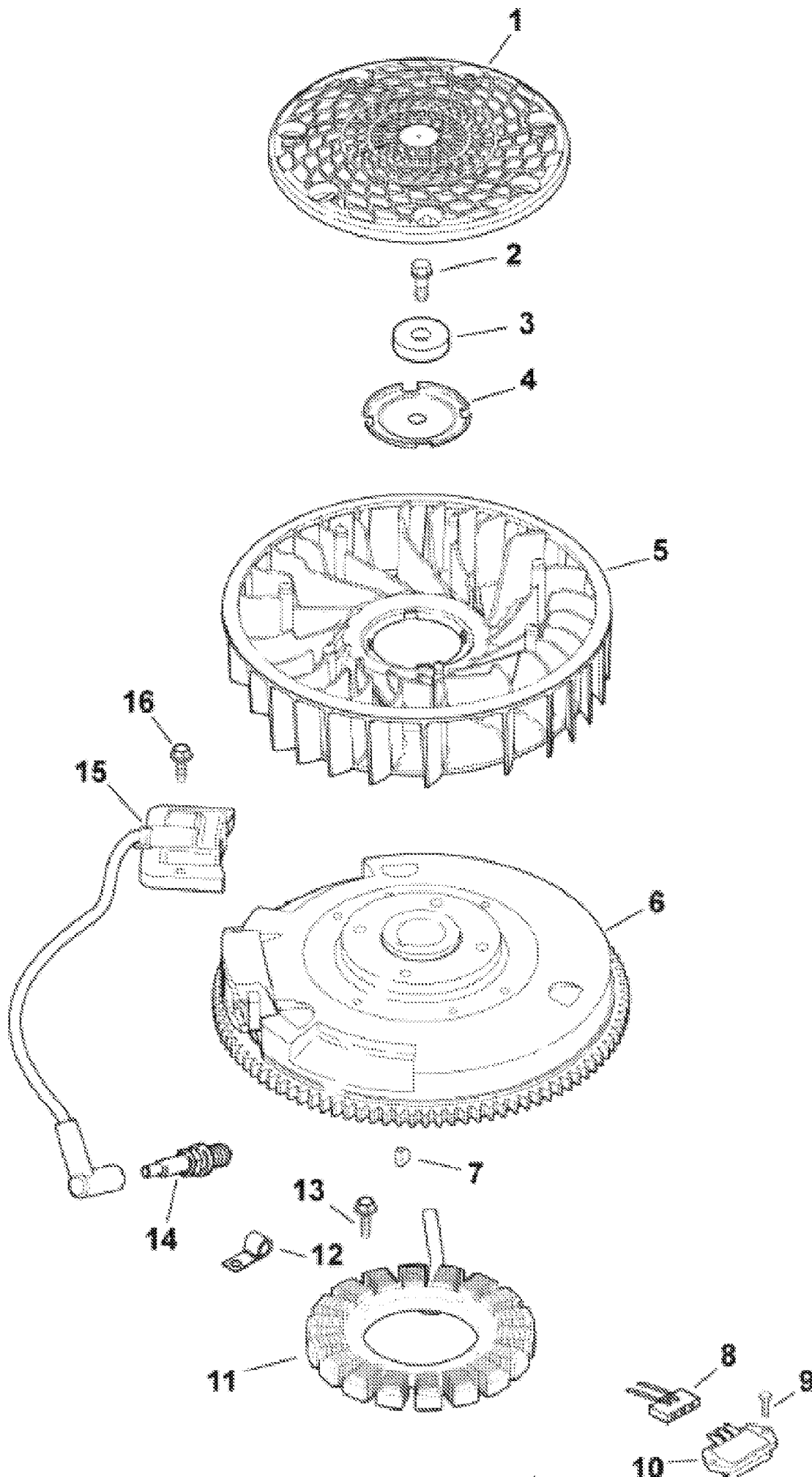
Page 23 of 45

Ref #	Part Number	Qty	S/P/F	Description
1	KH-24-755-141-S	1	/P	KIT, VALVE COVER-PLAIN (Includes 2,3)
2	KH-24-153-30-S	2	/P	O-RING, VALVE COVER
3	KH-M-651030-S	8		SCREW, FLG M6X1.0X30
4	KH-32-318-01-S	1		USE 32 318 05-S KIT (includes 26 [qty 4] & 24 841 03-S) (Before S/N 3633510953)
4	KH-32-318-05-S	1	S	KIT, #1 CYLINDER HEAD ASSEMBLY - USE 32 318 08-S (includes 26 [qty 4] & 24 841 03-S) (After S/N 3633510943)
5	KH-12-755-03	4	/P	KIT, RETAINER
6	KH-12-173-01	4	/P	CAP, VALVE SPRING
7	KH-24-089-02	4	/P	SPRING, VALVE
8	KH-235011-S	4	/P	RETAINER, SPRING
9	KH-66-032-05-S	2	/P	SEAL, VALVE STEM
10	KH-24-017-01	2	/P	VALVE, INTAKE (STD)
11	KH-24-016-01	2	/P	VALVE, EXHAUST (STD)
12	KH-32-326-06-S	1		KIT, BREATHER HOSE (includes 13 [qty 1])
13	KH-25-237-14-S	5	/P	CLAMP, SPRING HOSE 1/2"
14	KH-32-081-02-S	1		KIT, BREATHER HOUSING (includes 15,16)
15	KH-M-547050-S	1		NUT, LOCK M5X.8
16	KH-32-468-01-S	1		WASHER, SEALING
17	KH-32-072-03-S	1		STUD, BREATHER COVER
18	KH-32-019-01-S	4	S	KIT,TAPPET - USE 32 019 02-S
19	KH-32-411-02-S	4		ROD, PUSH (before S/N 3633510953)
19	KH-32-411-04-S	4	/P	ROD, PUSH (after S/N 3633510943)
20	KH-24-841-03-S	2	/P	KIT, CYLINDER HEAD GASKET (includes head mounting hardware & 24 041 49-S, 24 153 27-S)
21	KH-32-318-02-S	1		USE 32 318 06-S KIT (includes 26 [qty 4] & 24 841 03-S) (before S/N 3633510953)
21	KH-32-318-06-S	1	S	KIT, #2 CYLINDER HEAD ASSY - USE 32 318 10-S (includes 26 [qty 4] & 24 841 03-S) (After S/N 3633510943)
22	KH-32-186-02-S	4		ARM, ROCKER (before S/N 3633510953)
22	KH-32-186-03-S	4		ARM, ROCKER (after S/N 3633510943)
23	KH-32-100-04-S	4		NUT, M10X0.75 (before S/N 3633510953)
23	KH-25-100-33-S	4		NUT, HEX (after S/N 3633510943)
24	KH-32-086-03-S	4		SCREW, SET (before S/N 3633510953)
24	KH-25 086-12	4		SCREW, SET (after S/N 3633510943)
25	KH-24-599-02-S	4	/P	PIVOT, ROCKER ARM (before S/N 3633510953)
25	KH-25-599-01-S	4		PIVOT, ROCKER ARM (after S/N 3633510943)
26	KH-12-086-16	8	S	SCREW, FLG M10X1.5X90
27	KH-32-086-04-S	4		SCREW, FLG M6X1.0X45 (before S/N 3633510953)
27	KH-32-072-04-S	4		STUD, ROCKER (after S/N 3633510943)
28	KH-32-096-06-S	1		KIT, BREATHER VALVE COVER (includes 2 [qty 1])

13AP62TK090 SLT-5400 (2008)
Engine Head Valve Breather

Page 24 of 45

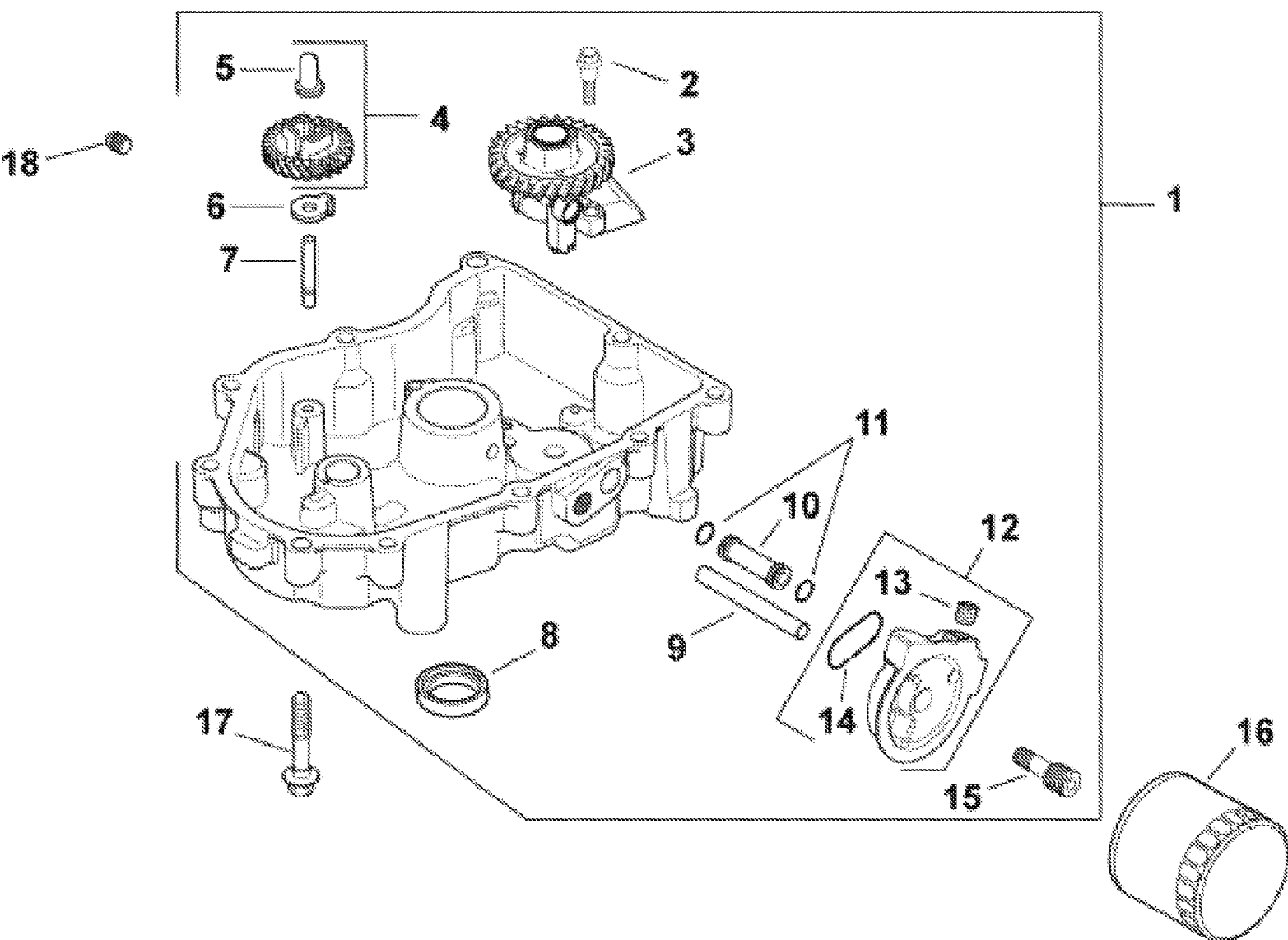
Ref #	Part Number	Qty	S/P/F	Description
29	KH-24-445-01	1	S	STRAP, LIFTING
30	KH-M-645016-S	1	/P	SCREW, FLG THD FRM M6X1.0X16
31	KH-32-096-04-S	1		KIT, BREATHER COVER (includes 32)
32	KH-32-041-01-S	1		GASKET, BREATHER COVER - DISC.
33	KH-32-050-01-S	1		FILTER, BREATHER
34	KH-32-146-09-S	2		PLATE, GUIDE (after S/N 3633510943)
	KH-24-041-49-S	1	/P	GASKET, EXHAUST NOT ILLUSTRATED
	KH-24-153-27-S	1	/P	O-RING, INTAKE PORT NOT ILLUSTRATED
	KH-32-755-03-S	2		KIT, CYLINDER HEAD HARDWARE NOT ILLUSTRATED (Services 1 Head. Quantities listed are for both heads) (includes 5-11,19,22,25,34)



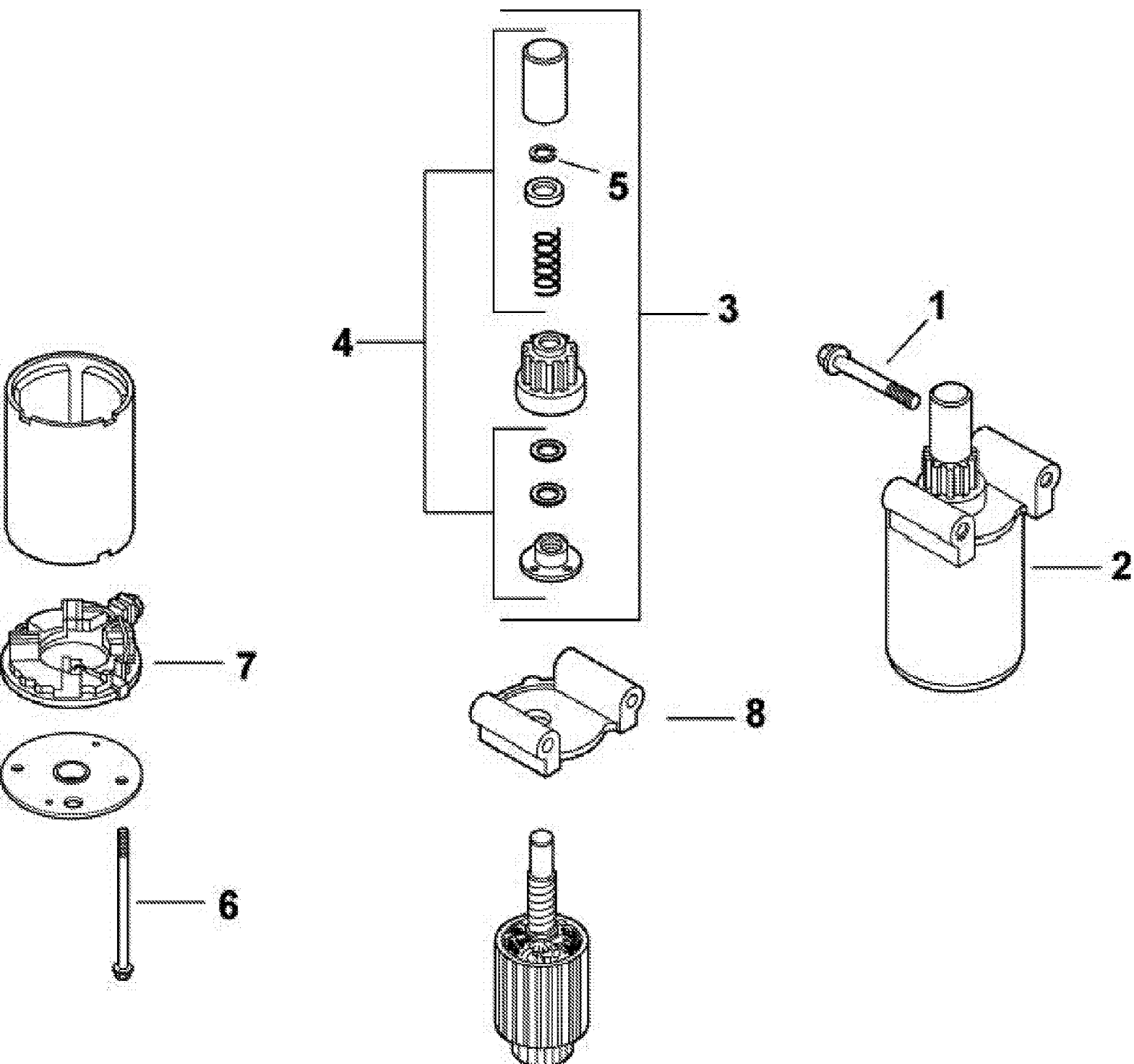
13AP62TK090 SLT-5400 (2008)
Engine Ignition & Electrical

Page 26 of 45

Ref #	Part Number	Qty	S/P/F	Description
1	KH-32-162-03-S	1		SCREEN, GRASS
2	KH-12-086-14-S	1		SCREW, FLG M10X1.5X45
3	KH-12-468-03	1		WASHER, FLAT 13/32"
4	KH-20-146-02-S	1		USE 20 146 04-S PLATE
5	KH-32-157-01-S	1		FAN
6	KH-32-025-08-S	1	S	FLYWHEEL
7	KH-X-42-15	1	/P	KEY, 3/16" X 5/8"
8	KH-236602-S	1	S	CONNECTOR (3 CONTACT)
9	KH-M-551016-S	2		SCREW, HVY FLG M5X.8X16
10	KH-41-403-09	1	S	RECTIFIER-REGULATOR
11	KH-237878	1	/P	KIT, 15 AMP STATOR
12	KH-235173	1		CLIP, CABLE
13	KH-M-548025-S	2		SCREW, THD FRM M5X.8X25
14	759-3336	2	/P	PLUG, SPARK
15	KH-24-584-01	2	S	USE 24 584 45-S IGNITION MODULE
16	KH-M-545020-S	4		SCREW, FLG THD FRM M5X.8X20
	KH-32-176-14-S	1	/P	USE 32 176 14-S WIRING HARNESS NOT ILLUSTRATED
	KH-25-454-03-S	2		TIE, WIRE NOT ILLUSTRATED



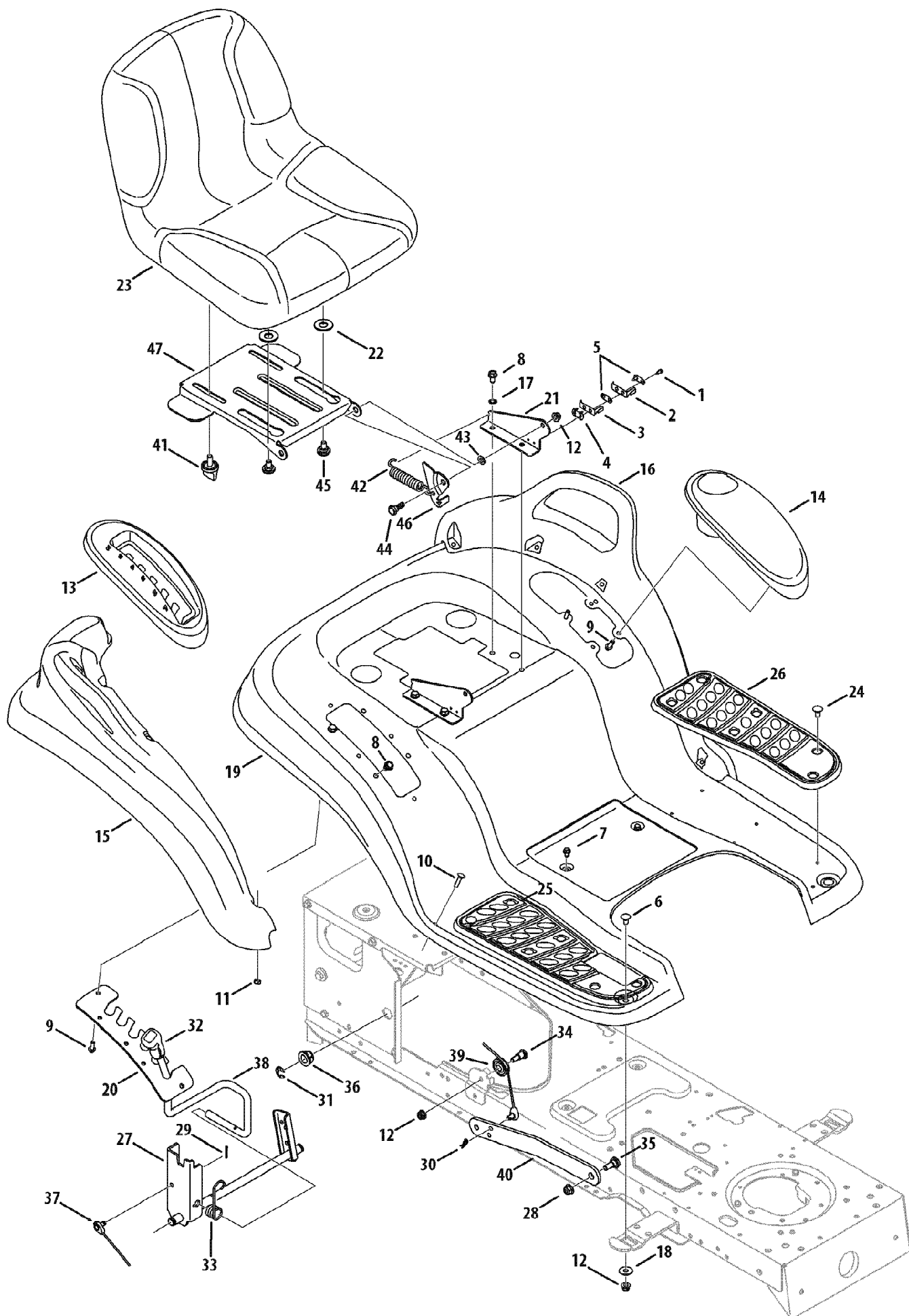
Ref #	Part Number	Qty	S/P/F	Description
1	KH-32-199-02-S	1		PAN ASSEMBLY, OIL - USE 32 199 04-S (Includes 2-15)
2	KH-32-086-01-S	2		SCREW, SHD THD FRM M6x1.0x26.5
3	KH-32-393-10-S	1		PUMP ASSEMBLY, OIL
4	KH-24-043-12	1	/P	KIT, GOVERNOR GEAR W/PIN (Includes 5)
5	KH-12-380-01	1	/P	PIN, GOVERNOR REGULATING
6	KH-24-448-02-S	1		TAB, LOCKING
7	KH-12-144-02	1		SHAFT, GOVERNOR GEAR
8	KH-52-032-08-S	1	S	USE 25 032 06-S OIL SEAL
9	KH-32-123-01-S	1		TUBE, OIL FEED - FILTER TO PAN (Filter to oil pan)
10	KH-32-123-03-S	1		TUBE, OIL FEED - PAN TO FILTER (Oil pan to filter)
11	KH-24-153-01	2	/P	O-RING, OIL PICK-UP
12	KH-32-029-07-S	1		USE 32 029 16-S OIL FLTR ADPTR includes 13,14
13	KH-25-139-60-S	1	/P	PLUG, CTSK PIPE 1/8"
14	KH-32-153-04-S	1		O-RING, OIL FILTER ADAPTER
15	KH-32-136-03-S	1		NIPPLE, OIL FILTER
16	KH-12-050-01-S	1	/P	FILTER, OIL
17	KH-24-086-17-S	1	/P	SCREW, FLG M8X1.25X45
18	KH-25-139-57-S	1	/P	PLUG, SQ HD PIPE 3/8"



13AP62TK090 SLT-5400 (2008)
Engine Starting System

Page 30 of 45

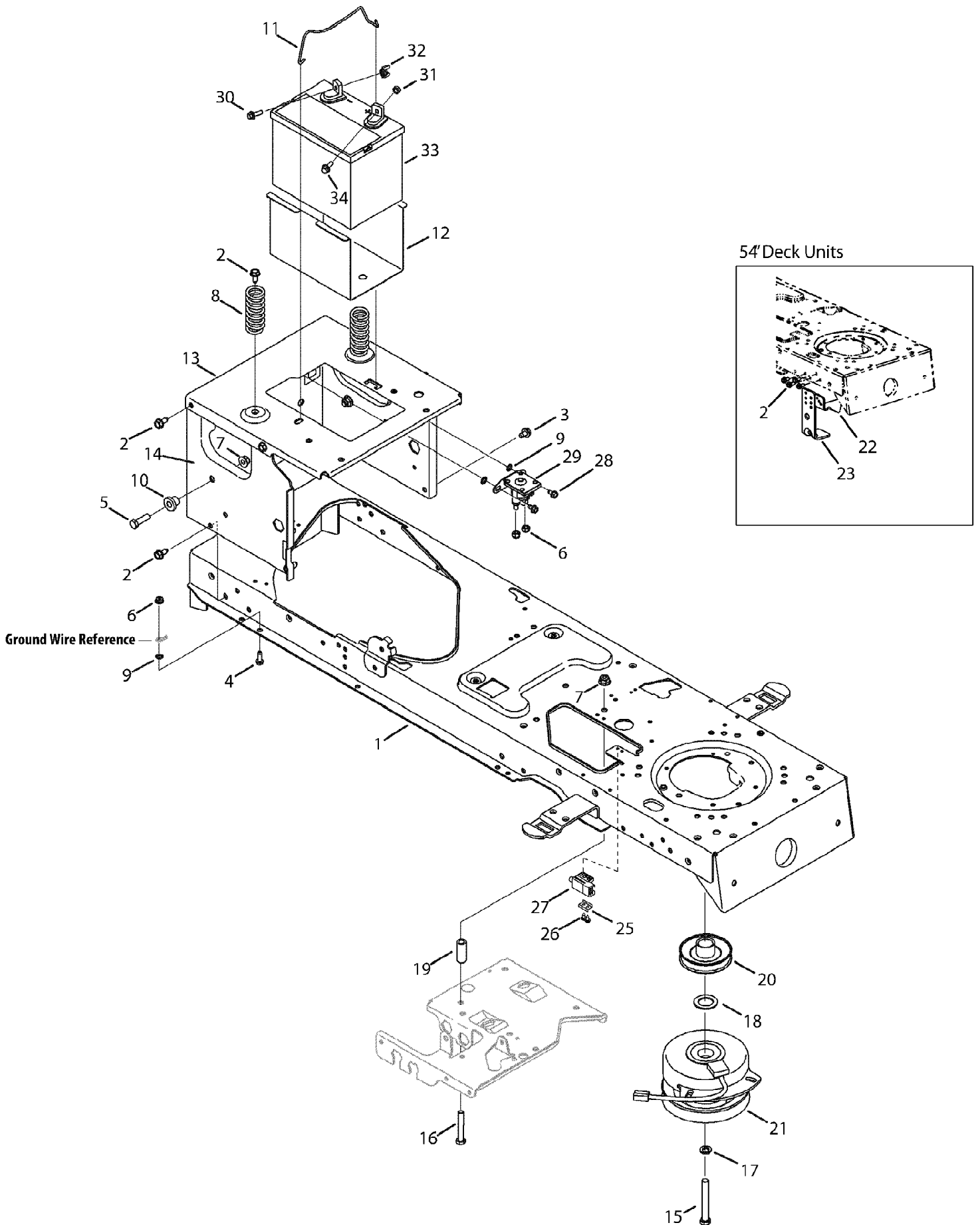
Ref #	Part Number	Qty	S/P/F	Description
1	KH-M-839080	2	S	SCREW, FLG M8X1.25X80 - USE M-851080-S
2	KH-32-098-01-S	1		STARTER ASSEMBLY (Includes 3-7)
3	KH-12-755-39-S	1		KIT, DRIVE (includes 4,5)
4	KH-12-755-38-S	1		KIT, DRIVE PARTS (includes 5)
5	KH-32-141-01-S	1		RING, RETAINING
6	KH-32-211-01-S	2		BOLT, THRU
7	KH-12-243-04-S	1		COMMUTATOR, END CAP
8	KH-32-227-01-S	1		CAP, DRIVE END



13AP62TK090 SLT-5400 (2008)
Fender & Seat Assembly

Page 32 of 45

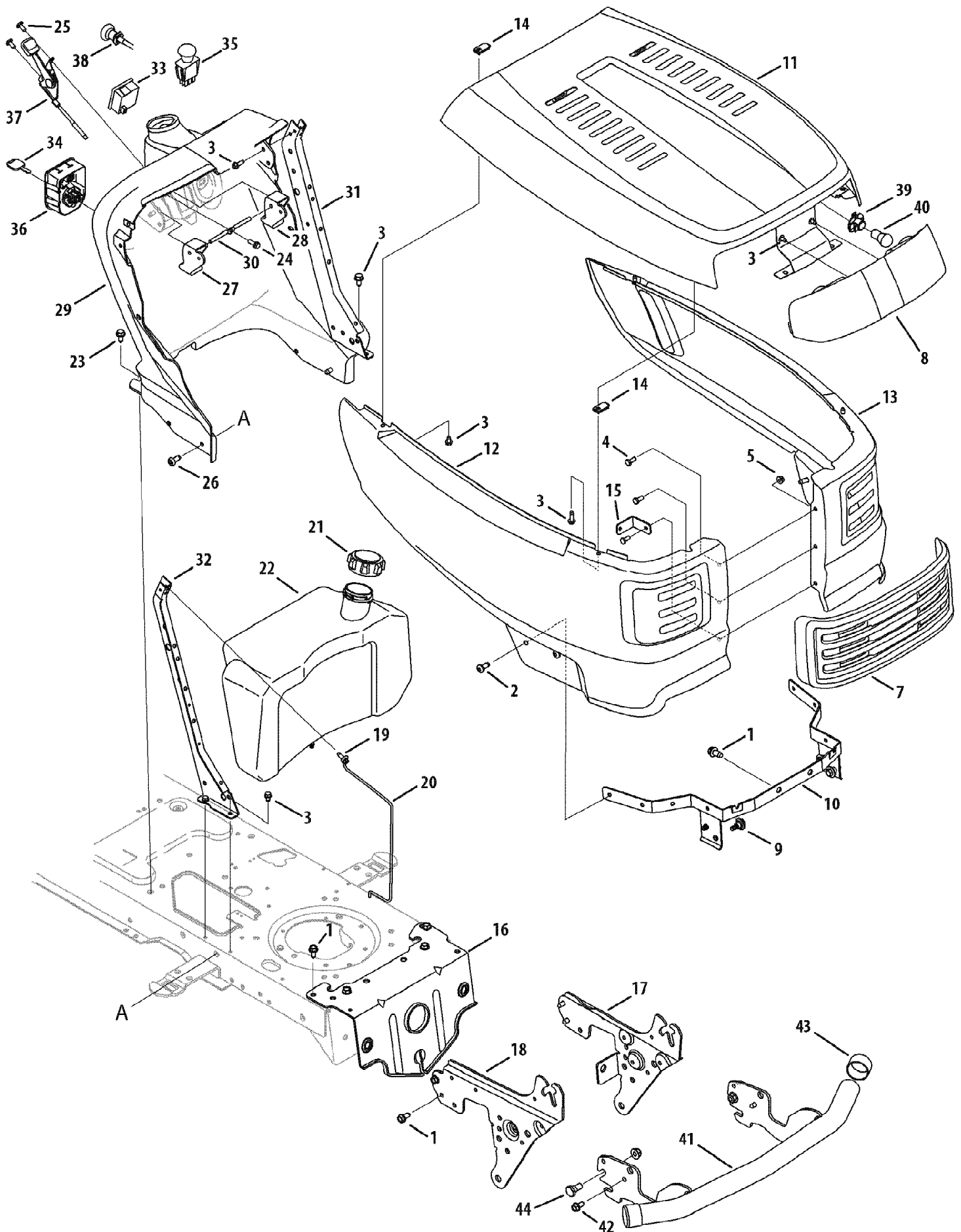
Ref #	Part Number	Qty	S/P/F	Description
1	710-0227	1	/P	Screw, #8-18 x.500
2	725-1303	1	S	Outer Seat Spring Switch
3	725-1439	1		Inner Seat Spring Switch
4	726-0278	1		Insulator Boss Plate
5	726-0279	1		Insulator Plate
6	710-0451	1	/P	Carriage Bolt, 5/16-18 x.750
7	710-0599	1	/P	Screw, 1/4-20 x.500
8	710-04484	1		Screw, 5/16-18 x.750
9	710-0895	1		Self-tapping Screw, 1/4-15 x.75
10	710-0932	1	/P	Carriage Screw 1/4-20 x 1.00
11	712-0271	1	/P	Sems Nut 1/4-20
12	712-04063	1	/P	Flange Lock Nut, 5/16-18
13	731-1990	1		Lift Lever Cover
14	731-1993A	1		Cover w/ Cup Holder
15	731-2618	1		RH Fender Flare
16	731-2619	1		LH Fender Flare
17	736-0607	1	/P	Flat Washer, 5/16 Int. Tooth
18	736-3078	1	/P	Flat Washer, .349 x 1.0 x.063
19	783-04459A	1		Fender 4 Sty Hydro w/ Flares
20	783-0677B	1		Lift Adjustment Bracket
21	783-1489C	1		Seat Mounting Bracket
22	736-0300	1	S	Washer, Flat, .406 x .875 x .059
23	757-04075	1		High Back Seat, Gray
24	726-3046	1	/P	Foot Pad Clips
25	735-0656	1		RH Foot Pad
26	735-0657	1		LH Foot Pad
27	683-04301	1	S	Lift Assembly Shaft
28	712-04065	1	/P	Flange Lock Nut, 3/8-16
29	714-0104	1	S	Hairpin Clip
30	714-0111	1	S	Cotter Pin
31	716-0106A	1		E-Ring
32	720-0311	1		Handle Grip
33	732-0874	1	/P	Torsion Spring
34	738-0138A	1	/P	Hex Cap Screw, 5/16-18 x.62
35	738-0380	1	S	Shoulder Screw, 3/8-16
36	741-0225	1	S	Hex Flange Bearing
37	746-0968	1		Lift Cable, 16.16
38	747-04447	1		Lift Handle
39	756-1154	1		Roller Pulley
40	783-05546	1	S	Arm Lift
41	720-04061	1		Knob, 3/8-16 x .875
42	732-1184	1	/P	Extension Spring,.84 x 4.6
43	736-0242	1	/P	Flat Washer
44	738-0296	1	S	Shoulder Screw,.437 x.286
45	738-04012A	1	/P	Shoulder Screw, 3/8-16 .625 x .145
46	783-0209D	1	/P	Seat Lift Bracket
47	783-04081B	1		Seat Pivot Bracket



13AP62TK090 SLT-5400 (2008)
Frame, PTO Clutch & Battery

Page 34 of 45

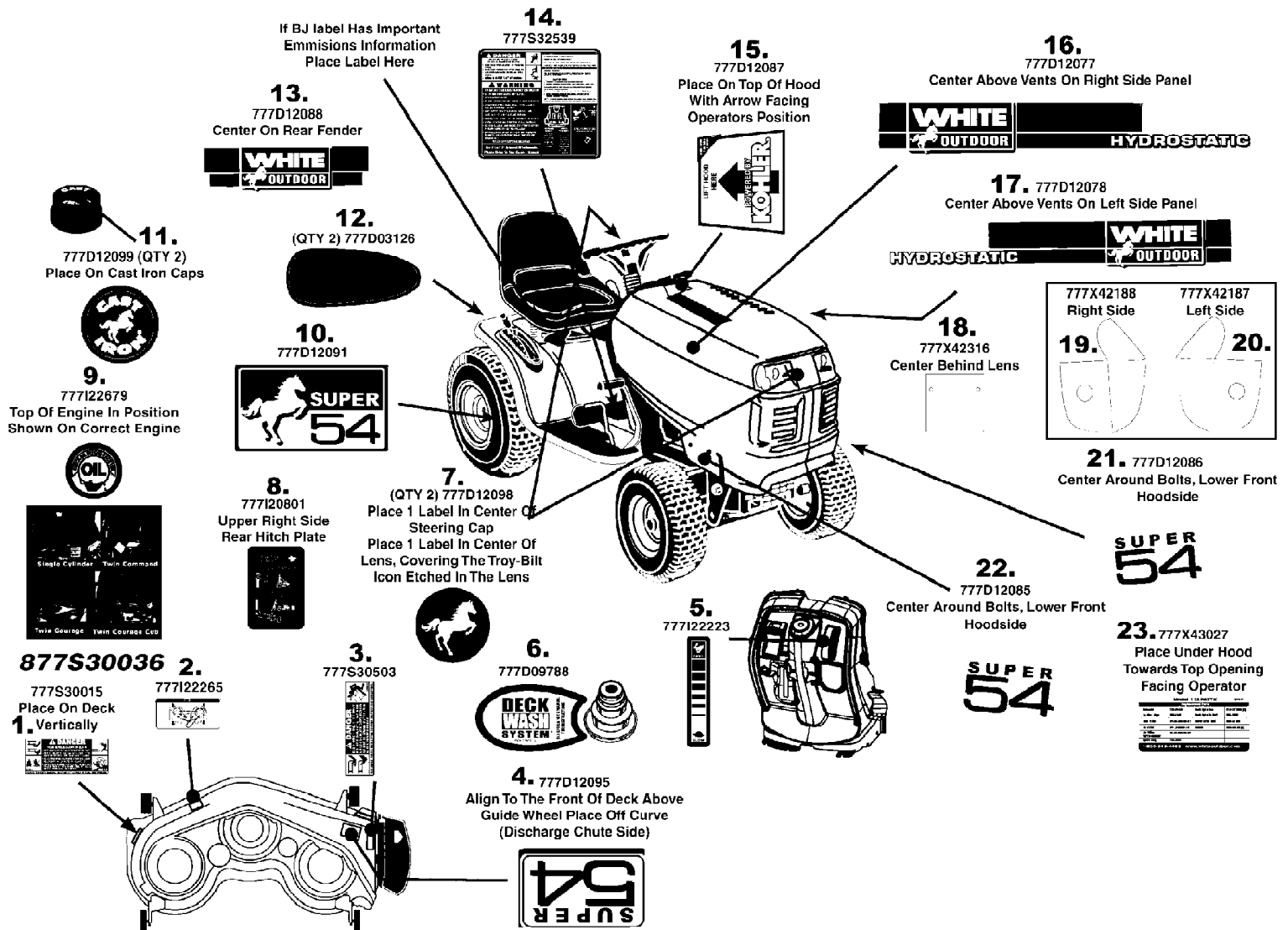
Ref #	Part Number	Qty	S/P/F	Description
1	683-04173B	1		Frame Assembly, Lower
2	710-04484	1		Screw, 5/16-18 x 0.75
3	710-0607	1	/P	Screw, 5/16-18, 0.500
4	710-0642	1	/P	Screw, 1/4-20, 0.750
5	710-3005	1	/P	Screw, 3/8-16, 1.25, Gr5
6	712-04064	1	/P	Nut, Flange Lock, 1/4-20
7	712-04065	1	/P	Nut, Flange Lock, 3/8-16
8	732-04035	1		Spring, Compress., 1.28 x 3.125
9	736-0222	1	S	Washer, Lock, 1/4, External
10	738-04058	1		Spacer, Shoulder, .38 x 1.0 x .70
11	747-04121A	1		Hold Rod, Battery
12	783-0349	1		Battery Tray
13	783-04329A	1		Seat Bracket, Frame
14	783-04809C	1		Frame, Upper
15	710-04379A	1		Screw, 7/16-20, 3.50, Gr5, Lock
16	710-3011	1	/P	Screw, 3/8-16, 2.25, Gr5
17	736-0171	1	S	Lock Washer, 7/16
18	736-0277	1		Washer, Flat, 1.031 x 1.620 x .095
19	748-0415B	1	/P	Spacer, .385 ID x .635 OD x 1.54
20	756-0978B	1	/P	Pulley, Engine, 3.56 Diameter
21	717-1774C	1	S	PTO Clutch, Electric (54" Deck Units)
22	783-04419B	1	S	Clutch Bracket
23	783-04467	1		Deck Bracket, Up-Stop (54" Deck)
25	17962	1		Switch Plate
26	710-0224	1	S	AB Screw, #10-16 x .500
27	725-04039	1	S	Switch
28	710-0599	1	/P	Screw, 1/4-20, 0.50
29	725-04439	1		Solenoid, 12V, 100 Amp
30	710-04666	1		Hex Flange Bolt, 1/4-20, .75
31	712-0271	1	/P	Nut, Sems, 1/4-20
32	712-3087	1	/P	Nut, Wing, 1/4-20
33	725-1750A	1	S	Battery, 235 CCA
34	738-1132	1		Screw, Shoulder, .250 x .15, 1/4-20



13AP62TK090 SLT-5400 (2008)
Hood, Dash, Grille & Bumper

Page 36 of 45

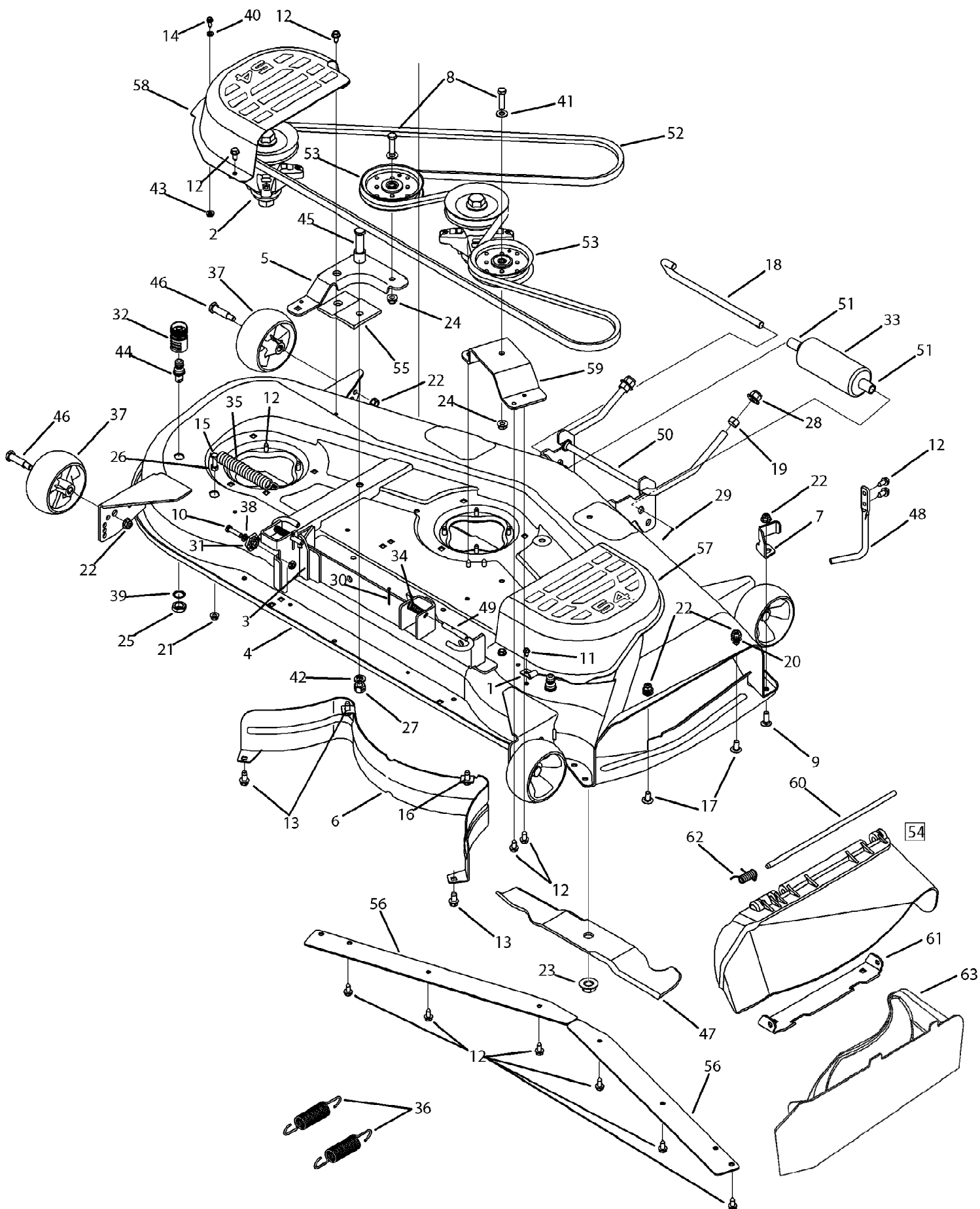
Ref #	Part Number	Qty	S/P/F	Description
1	710-04484	1		Screw, 5/16-18 x .750
2	710-04593	1		Screw, 5/16-18 x .375
3	710-0599	1	/P	Self-tapping Screw, 1/4-20 x.5
4	710-0751	1	/P	Hex Cap Screw, 1/4-20 x.62
5	712-04064	1	/P	Flange Lock Nut, 1/4-20
7	731-06358	1		T-Style Grille Insert
8	731-06414	1		T-Style Lens
9	738-04091A	1	/P	Shoulder Screw,.43 x.29
10	783-04606B	1		Hood Pivot Bracket
11	783-04827	1		Hood
12	783-04828	1		Side Panel, RH
13	783-04967	1		Side Panel, LH
14	783-05223	1		T-Style Hood Fastener
15	783-05315	1	S	Front Hood Bracket
16	783-05326	1	S	Pivot Bar Bracket
17	783-05417	1		Pivot Support Bracket - LH
18	783-05418	1		Pivot Support Bracket - RH
19	710-0642	1	/P	Screw, 1/4-20, 0.750
20	747-04161	1		Gas Tank Support Rod
21	751-0603	1	S	Fuel Tank Cap
22	751-10609	1		Fuel Tank, 2.5 gal.
23	710-0607	1	/P	Screw, 5/16-18 x 0.500
24	710-0895	1		Screw, 1/4-15, .750
25	710-1017	1	/P	Screw, 1/4-14, 0.625
26	710-1611B	1	/P	Screw, 5/16-18, 0.750
27	731-04215	1	S	Dash Cruise Lever
28	731-04217	1	S	Dash Brake Lever
29	731-06168	1		Dash Panel, T-Style w/ Electric PTO
30	747-1196	1		Bent Lever Rod
31	783-04323F	1	S	Dash Support, LH
32	783-04285F	1	S	Dash Support, RH
33	725-04036C	1	S	Systems Ind. Monitor w/Hr. Mtr.
34	725-1745A	1	S	Ignition Key w/ plastic cover
34	725-1744A	1	S	Ignition Key w/o plastic cover
35	725-1752	1	S	Electric PTO Switch
36	725-04227B	1	S	Ignition Switch
37	746-04417	1	S	Throttle Control/Cable
38	746-1085A	1	S	Choke Control Cable
39	725-1649	1	S	Headlight Socket
40	725-0963	1	S	Lamp
41	683-04219A	1	S	Bumper Assembly
42	712-04065	1	/P	Flange Lock Nut, 3/8-16
43	731-05674	1		Cap
44	738-0143	1	/P	Shoulder Bolt, 3/8-16
	629-04083A	1	S	Headlight Wire Harness Not Shown
	725-04404A	1	S	Wire Harness Not Shown (w/ Hr. Mtr. & Elctr. PTO)
	777X42188	1		Headlight Lens Reflector RH Not Shown
	777X42187	1		Headlight Lens Reflector LH Not Shown
	725-0157	1	/P	Cable Tie, 3/16 x .05 x 7.4 Not Shown



13AP62TK090 SLT-5400 (2008)
Label Map

Page 38 of 45

Ref #	Part Number	Qty	S/P/F	Description
1	777S30015	1		LABEL.RIDER DNGR.STRAIGT
2	777I22265	1		LABEL-BELT ROUTE
3	777S30503	1	/P	LABEL-DANGER CHUTE
4	777D12095	1		LABEL-RIDER TOP DECK 54" CUT
5	777I22223	1		LABEL-DASH RH
6	777D09788	1		LABEL:RIDER:WHITE
7	777D12098	1		LABEL-RIDER STEERING CAP WHITE
8	777I20801	1		LABEL-HITCHPLATE
9	777I22679	1		LABEL-CHECK ENG OIL
10	777D12091	1		LABEL:RIDER :SD FNDR
11	777D12099	1		LABEL-RIDER CAST IRON CAP WHITE
12	777D03126	1		LABEL-REFLECTOR FNDR
13	777D12088	1		LABEL-RIDER REAR FENDER WHITE
14	777S32539	1		LABEL:RIDER:SAFETY HYDRO
15	777D12087	1		LABEL-RIDER HOOD T KOHLER
16	777D12077	1		LABEL-RIDER T STYLE WHITE HYDRO RH
17	777D12078	1		LABEL-RIDER T STYLE WHITE HYDRO LH
18	777X42316	1		LABEL-RIDER TROY MID REFL
19	777X42188	1		LABEL-RIDER T STYLE GRILL RT
20	777X42187	1		LABEL-RIDER T STYLE GRILL LT
21	777D12086	1		LABEL:RIDER:T STYLE LOWER GRL LT
22	777D12085	1		LABEL:RIDER:T STYLE LOWER GRL RT
23	777X43027	1		LABEL:RIDER:PARTS INFO:P62TK



13AP62TK090 SLT-5400 (2008)
Mowing Deck 54

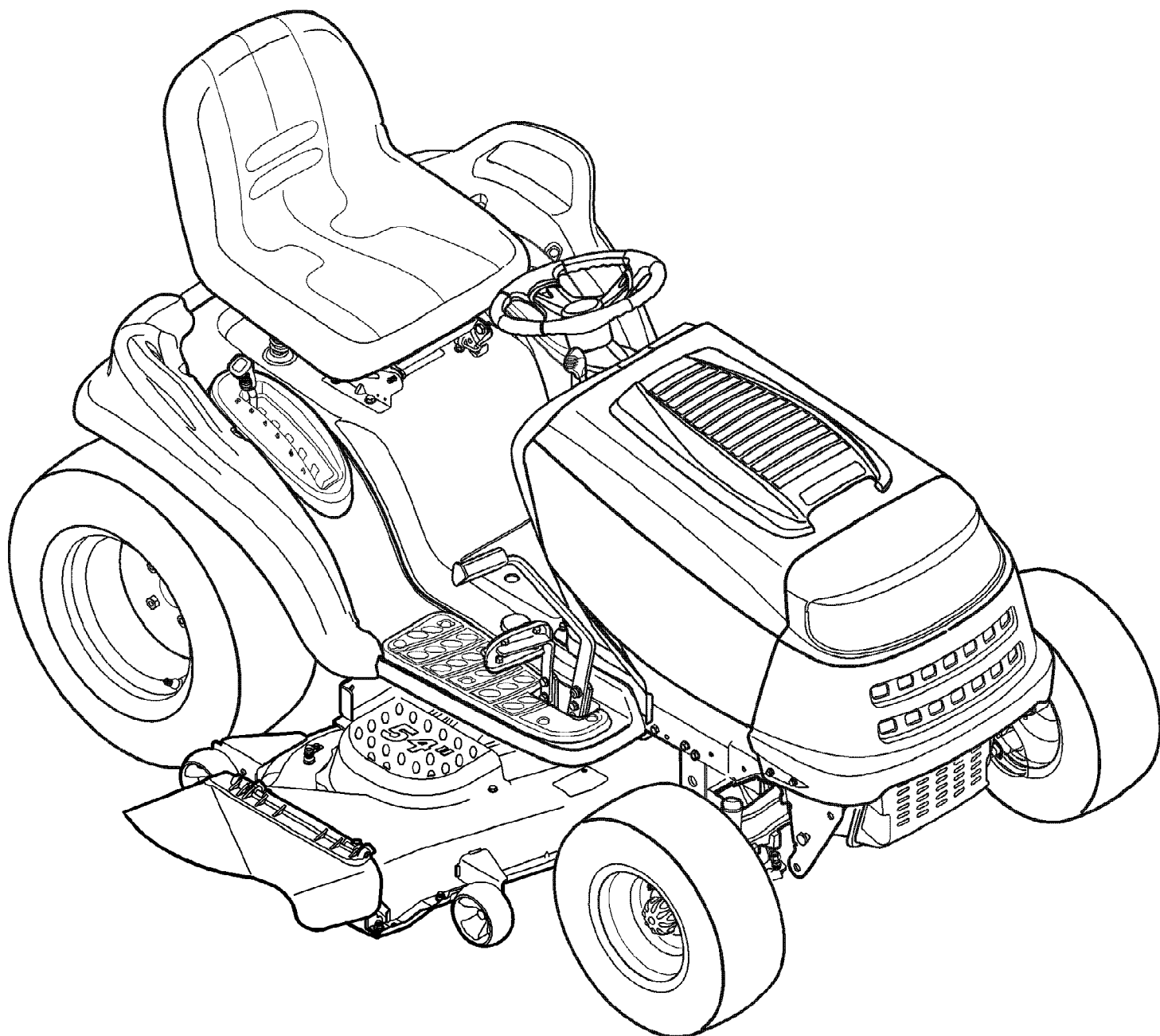
Page 40 of 45

Ref #	Part Number	Qty	S/P/F	Description
1	16606	1	S	Hook, Retainer Bracket
2	618-04125A	1	S	Spindle Assembly
2	738-1010A	1	/P	Shaft, Spindle, 5.75 not shown
2	750-1349A	1	/P	Spacer, .79 x 1.82 x .55 not shown
2	741-0919	1	S	Bearing, Ball not shown
2	750-1000	1		Spacer, .80 x 1.10 x 1.32 not shown
2	748-0160A	1		Spacer, .79 x 1.25 x .175 not shown
2	756-04216	1		Pulley, V Type, 5.39 not shown
2	736-0315	1	/P	Washer, Flat, .76 x 1.50 x .12 not shown
2	712-0417A	1	/P	Nut, Hex Flange, 5/8-18 not shown
3	683-0254B	1	/P	Hanger Bracket Assembly
4	683-04482	1		54" Deck Weldment
5	683-04182	1	S	Idler Arm Assembly
6	703-2093	1		Inner Rear Ba e
7	703-3279	1		Chute De ector Stop
8	710-0347	1	/P	Screw, 3/8-16 x 1.75
9	710-04095	1		Screw, 3/8-16 x 1.0
10	710-0528	1	/P	Screw, 5/16-18 x 1.25
11	710-0599	1	/P	Screw, 1/4-20 x.500
12	710-04484	1		Screw, 5/16-18 x.500
13	710-0623	1	/P	Screw, 3/8-16 x.750
14	710-0650	1	/P	Screw, 5/16-18 x.875
15	710-3103	1	/P	Screw, 5/16-18 x 2.00
16	710-3168	1	/P	Bolt, Carriage, 3/8-16 x 1.00
17	710-3178	1	/P	Bolt, Carriage, 3/8-16 x.750
18	711-1737	1		Pin, Roller,.5" Dia. x 10.06
19	712-0206	1	S	Nut, Hex, 1/2-13
20	712-0229	1		Push Nut, 3/8
21	712-04063	1	/P	Nut, Flange Lock, 5/16-18
22	712-04065	1	/P	Nut, Flange Lock, 3/8-16
23	712-0417A	1	/P	Nut, Flange, 5/8-18
24	712-0431	1	S	Nut, Flange Lock, 3/8-16
25	712-0641	1	S	Nut, Hex, M16-1.5
26	712-3010	1	S	Nut, Hex, 5/16-18
27	712-3022	1	/P	Nut, Hex Lock, 1/2-13
28	712-3083	1	/P	Nut, Hex Lock, 1/2-13
29	714-0111	1	S	Pin, Cotter, 3/32 x 1.00
30	714-0470	1	S	Pin, Cotter, 1/8 x 1.25
31	717-04074	1	S	Deck Adjustment Gear
32	721-04041	1	S	Hose Coupler
33	731-05679	1		Front Roller
34	732-0306A	1	S	Spring,.531OD x 1.75
35	732-04247	1		Spring, Ext.,.850 Dia. x 6.415
36	732-0934	1		Spring, Lift Assist
37	734-04155	1		Deck Wheel
38	736-0119	1	S	Washer, Lock, 5/16
39	736-0225	1	/P	Washer, Lock 5/8 Int. Tooth
40	736-0275	1	S	Washer, Flat,.344 x.688 x.065
41	736-0300	1	S	Washer, Flat,.406 x.875 x.059
42	736-0921	1	S	Washer, Lock, 1/2
43	736-3010	1		Washer, Flat, .407 x .812 x .135
44	737-04003D	1	/P	Port, Water
45	738-1229A	1	/P	Port, Water, 1.25 x 1/2-13

13AP62TK090 SLT-5400 (2008)
Mowing Deck 54

Page 41 of 45

Ref #	Part Number	Qty	S/P/F	Description
46	738-3056	1	S	Bolt, Shoulder, 3/8-16; 4.96 x 2.50
47	742-0677B	1	S	Blade, 18.5"
48	747-04384	1		Upstop Rod
49	747-1116	1	/P	Rod, Deck Release Handle
50	747-1324	1		Adjustable Front Deck Rod
51	750-0151	1	S	Spacer,.550 ID x.755 OD x 1.1
52	754-0642	1	S	V-Belt
53	756-04129	1	S	Pulley, Idler, 4.25" Dia.
54	631-04070A	1	/P	Chute Ass'y, Side Discharge
55	783-04013A	1		Bracket, Stabilizer, Pulley
56	783-04690A	1	S	Skirt, Deck
57	783-05492	1		Cover, Belt, RH
58	783-05493	1		Cover, Belt, LH
59	783-04726	1		Bracket, Idler, Stationary
60	711-04565	1		Hinge Pin
61	783-05030	1		Chute Mounting Bracket
62	732-04372	1		Torsion Spring
63	731-04651	1		Mulch Plug



Ref #	Part Number	Qty	S/P/F	Description
	KH-12-050-01-S	1	/P	OIL FILTER
	KH-32-883-03-S1	1	/P	AIR FILTER
	N/A	1		PRE-CLEANER ELEMENT
	759-3336	1	/P	SPARK PLUG
	KH-25-050-22-S1	1	/P	FUEL FILTER
	942-0677B	3	/P	BLADES
	942-0679	1	/P	BLADE-EXTRA HI-LIFT (Bagger)
	712-0417A	1	/P	BLADE NUT
	N/A	1		UPPER DRIVE BELT
	754-04165	1	S	LOWER DRIVE BELT
	754-0642	1	S	DECK SPINDLE BELT
	N/A	1		ENGINE TO DECK BELT
	918-04125A	3	S	DECK SPINDLES
	925-1745	1	S	IGNITION KEYS
	725-04439	1		SOLENOID
	751-0603	1	S	FUEL CAP
	734-04155	2		DECK WHEELS Front
	734-04155	2		DECK WHEELS Rear
	923-0448A	1	/P	BALL JOINTS
	741-0516B	1	/P	WHEEL BUSHINGS
	741-0990B	1	/P	WHEEL BUSHINGS in board
	925-04039	1	/P	SAFETY SWITCH-DECK
	925-04039	1	/P	SAFETY SWITCH-BRAKE/CLUTCH
	737-04003C	1	S	WATER NOZZLE ADAPTER
	OEM-190-032	1	/P	42-inch Two-stage Snow Thrower Attachment
	OEM-190-841	1		54-inch Deck Mulch Kit Attachment
	OEM-190-842	1	S	Triple Bagger Grass Collector (for 54-inch Decks), attachment
	19A-218-000	1		Rear Weight Kit w/ 1 Suitcase Weight Attachment
	OEM-19A-128	1		Suitcase Weight Attachment
	OEM-190-607	1		Deluxe Tractor Sunshade Attachment
	OEM-190-751	1		Snow Cab Attachment
	OEM-190-964	1	/P	Tire Chains, 23" x 10.5/9.5" Attachment
	OEM-190-833	1	/P	46-inch Front Dozer Blade Attachment

Ref #	Part Number	Qty	S/P/F	Description
1	710-04095	1		Hex Screw, 3/8-16, 1.00, Gr5
2	710-0514	1	/P	Hex Screw, 3/8-16, 1.00, Gr5
3	710-0643	1	/P	Hex Screw, 5/16-18, 1.00, Gr5
4	711-1408	1		Link, Drag, RH
5	711-1409A	1	/P	Link, Drag, LH
6	712-0214	1	S	Nut, Hex Lock, 3/8-24
7	712-04065	1	/P	Nut, Flange Lock, 3/8-16
8	712-0459	1	/P	Nut, Flange Lock, 7/16-20
9	712-3004A	1	/P	Nut, Flange Lock, 5/16-18, Gr5
10	717-1550E	1	S	Gear, Steering, 11/90 Ratio
11	717-1554	1		Gear, Pinion, Steering
12	723-0448A	1	S	Ball Joint, 7/16-20, Lock
13	736-3004	1	S	Washer, Flat,.406 x .875 x .105
14	736-3084	1	/P	Washer, Flat,.51 x 1.12 x.06
15	738-04154	1		Spacer, Shoulder,.38 x 1.00 x .31
16	738-04263	1		Shaft, Steering, .625 OD x 24.25
17	741-0475	1	S	Plastic Bushing.380 ID
18	741-04237	1		Hex Flange Bearing 5/8 PM
19	631-04008A	1	/P	Steering Wheel, 13.25 Soft Grip
20	731-04039	1		Steering Wheel Cover, No Logo
21	714-04039	1		Cotter Pin, 5/32 x 1.25
21	714-0162	1	/P	Cotter Pin, 5/32 x 1.25
22	719-04177A	1		Pivot Bar Axle
22	737-3000	1	S	Fitting, Lube, 3/16 Drive Type Not Shown
22	737-0475	1	/P	Fitting, Lube, M6 Threaded Not Shown
23	731-04693	1		Large Cap
23	726-0341	1	/P	Small Cap
24	748-04068	1		Spacer, .71 x .125 x .56
25	736-0316	1	S	Washer, Flat, .78 x 1.59 x .060
26	726-04035	1		Push Nut, 3/4 dia.
27	736-04228	1		Flat Washer, .781 x 1.589
28	731-05674	1		Hub Cap
29	738-04128	1		Shoulder Bolt, .500 x 2.38, 3/8-16
30	638-04005	1	S	Axle Assembly, RH (54" Deck Units) RH
31	638-04006	1	S	Axle Assembly, LH (54" Deck Units) LH
32	634-04466	1		Wheel Assembly (54" Deck Units)
32	734-1727	1	/P	Tire Only 16 x 6.50 x 8 Sq. Shldr. Not shown
32	634-04082	1	S	Rim Only w/ Valve Stem Not shown
32	734-0255	1	S	Valve, Stem Not shown
32	741-0990B	1	/P	Bearing, Flange, w/fitting Not shown
32	741-0516B	1	/P	Bearing, Flange Not shown